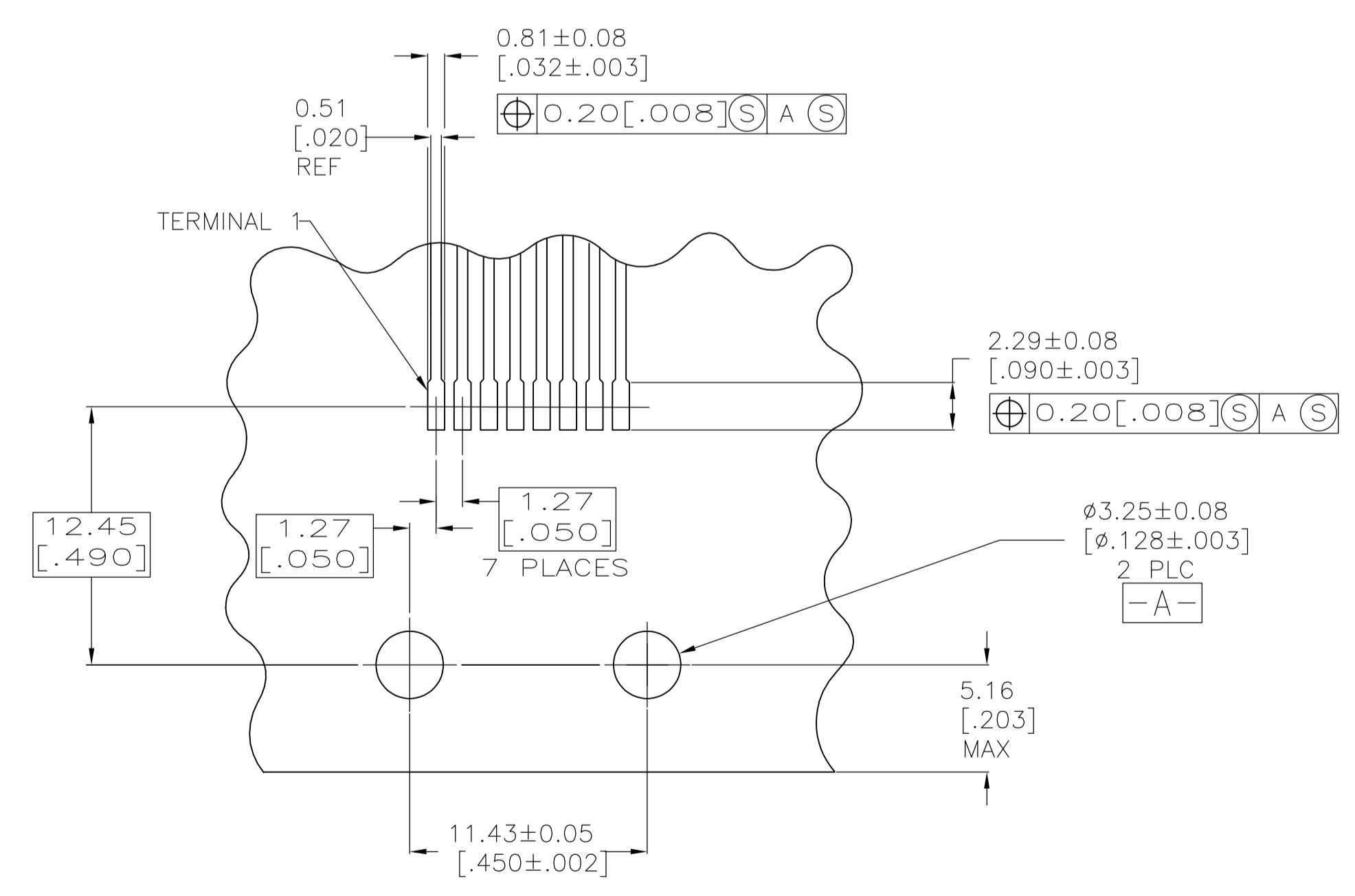
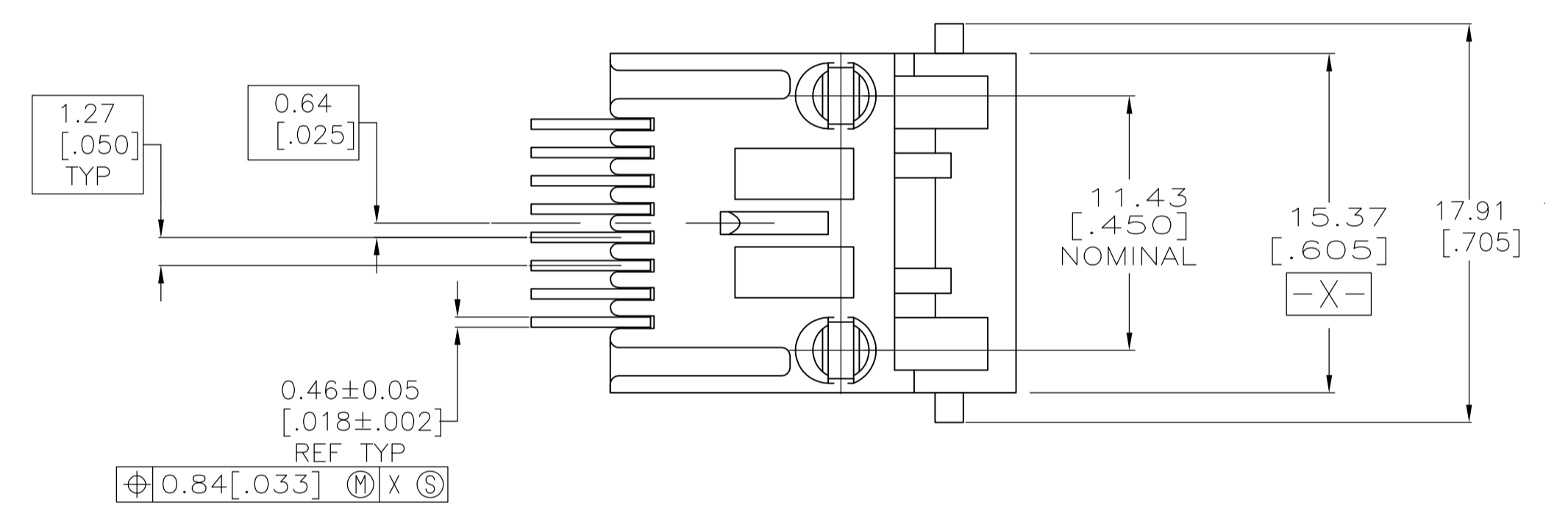
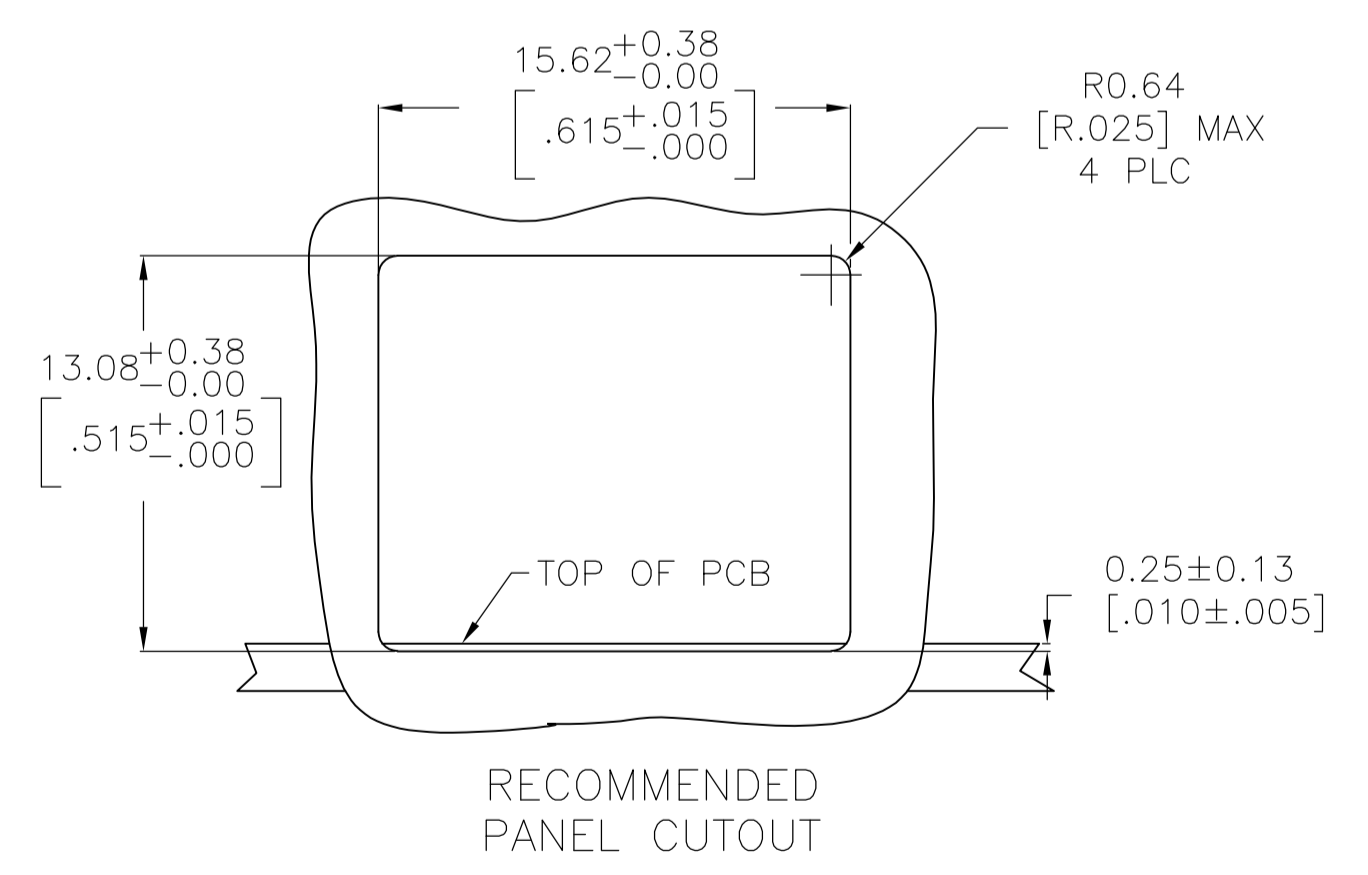


- MATERIAL: HOUSING - HTN MOLDING COMPOUND, 94 VO, COLOR: BLACK.  
 TERMINAL - 0.36 [.014] THICK PHOS-BRONZE PLATE WITH 1.27µm [.000050] MINIMUM THICK HARD GOLD IN LOCALIZED GOLD PLATE AREA AND 3.81µm [.000150] MINIMUM THICK MATTE TIN IN SOLDER AREA OVER 1.27µm [.000050] MINIMUM THICK NICKEL UNDERPLATE.
- CAVITY CONFORMS TO FCC RULES AND REGULATIONS, PART 68, SUBPART F.
- ALL DIMENSIONS SHOWN ARE MAXIMUM UNLESS OTHERWISE SPECIFIED AND ARE PRIOR TO SURFACE MOUNT PROCESSING.
- SNAP-IN RETENTION FEATURE ACCOMMODATES 1.45-1.70 [.062±.005] THICK PRINTED CIRCUIT BOARD.



RECOMMENDED PRINTED CIRCUIT BOARD LAYOUT COMPONENT SIDE



8	5555078-1
NUMBER OF TERMINALS	PART NO

THIS DRAWING IS A CONTROLLED DOCUMENT.		DIN G. ATTADIA - 07JUN2005		Tyco Electronics Tyco Electronics Corporation Harrisburg, PA 17105-3608	
DIMENSIONS: mm [INCHES]		TOLERANCES UNLESS OTHERWISE SPECIFIED:		APVD S. FLICKINGER 07JUN2005	
0 PLC ± -		1 PLC ± -		NAME: MODULAR JACK ASSEMBLY, 8 POSITION, LOW PROFILE, RIGHT ANGLE, SURFACE MOUNT, KEYED, WITH PANEL STOPS	
1 PLC ± -		2 PLC ± -		PRODUCT SPEC: 108-1163	
2 PLC ± -		3 PLC ± -		APPLICATION SPEC: 114-6040	
3 PLC ± -		4 PLC ± -		SIZE: A1	
4 PLC ± -		ANGLES ± -		CAGE CODE: 5555078	
MATERIAL: SEE NOTE 1		FINISH: SEE NOTE 1		WEIGHT: -	
CUSTOMER DRAWING		SCALE: 4:1		SHEET 1 OF 1	